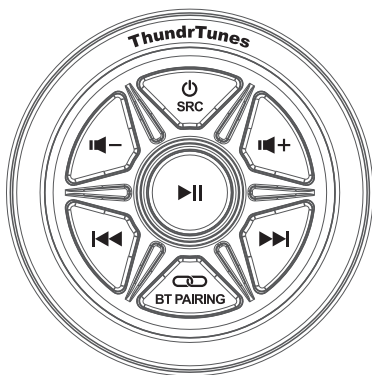


ThundrTunes

TT 408 USER'S MANUAL



Quick Installation Guide

BLUETOOTH (AUDIO STREAMING)

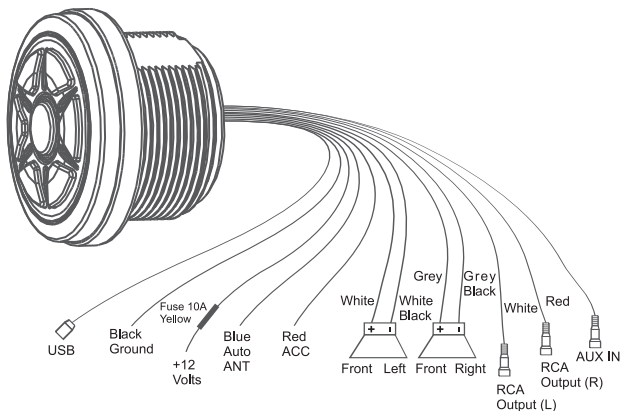
FEATURING BUILT-IN 2 CHANNEL AMPLIFIER

DC 12V MARINE GAUGE DIGITAL MEDIAL PLAYER

BLUETOOTH PAIRING AND CONNECTION

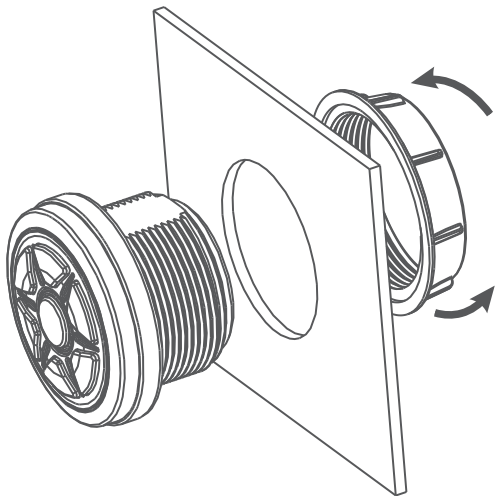
CONNECTING TT 408 TO YOUR DEVICE:

1. Press **⏻**/SRC button until power indicator lights blue;
2. The system will priority go into pairing mode. The power indicator will turn Blue and will flash quickly while waiting for Bluetooth connection. Please be sure that Bluetooth is turn ON on your smart phone. Select 'TT408' on your device to connect the Bluetooth controller (if the Bluetooth controller is connected, the light will turn to solid blue).
3. When the smartphone is taken outside of head unit's receiving range, Bluetooth will be disconnected automatically and will automatically reconnect when detected in range again. (if not, please repeat steps 1 and steps 2)
4. Press and hold 'BT PAIRING' button at Bluetooth mode for 3 seconds to force disconnect the paired device, the Bluetooth controller will be standby for next pairing.
5. Input mode indicator – Blue light for Bluetooth, Purple light for AUX, (P.S. Red light for USB mode - only available if there is an USB stick plug in).



INSTALLATION

Seamless Flush Mount

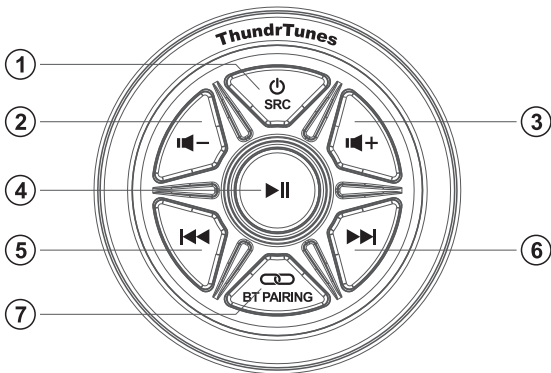


Size: 3.8" (96mm) (Outer Diameter)

3.15" (80mm) (Cutout Diameter)

3.5" (89mm) (Depth)

PLAYING MUSIC



- ① ⏻ /SRC Switch
- ② 🔊 - Volume Down
- ③ 🔊 + Volume Up
- ④ ▶|| Play/Pause
- ⑤ ⏮ Previous Song
- ⑥ ⏭ Next Song
- ⑦ 🔗 BT PAIRING Disconnect / Reconnect Bluetooth

1. Press ⏻ /SRC button for Power ON, Press hold for 3 seconds to Power OFF;
 2. Press ▶|| to play music or pause;
 3. Press SRC button to switch modes (Bluetooth/AUX-in/USB);
 4. Press ⏭ for next track, press ⏮ for the previous track;
 5. Press 🔊+ to increase the volume, press 🔊- to lower the volume;
 6. Press and hold ' BT PAIRING' to unpair the connected Bluetooth device;
-

SPECIFICATIONS

Features:

Bluetooth Audio Streaming
Handset Speak (optional)
Built in Amplifier

Input and Outputs:

USB Port for Music and 1A Charging
3.5mm jack Aux -In
RCA Outputs for external amp (1 pair)
Remote output for external amp (blue cable)

General

DC 12V Input
2 Channels Class D
Conformal Coated PCB
Illuminated Button

Safety Considerations

While we have designed the mounting system to provide a safe and stable installation, it is important to remember these are objects that will be used in an environment that is extremely bumpy and turbulent. Please consider all possible scenarios where these will be placed and secured.

All specifications subject to change without notice
