

SUPXTARK

PX168/PX168D Instruction Manual

Quick Start Guide

For Gauge Hole Receivers

Not all features listed in this QSG
are available on all models.

THIS PACKAGE CONTAINS

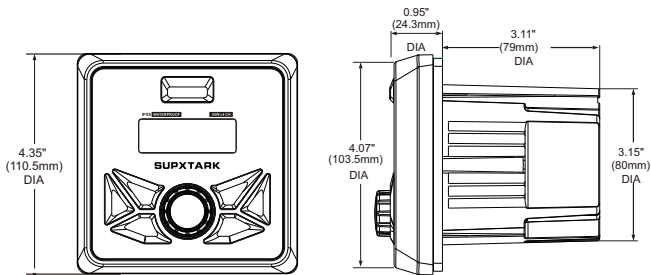
Trim Bezel	x 1
Mounting screws	x 4
User Manual	x 1

Mounting & Wiring

Please read entire manual before installation.

Before You Start

Disconnect negative battery terminal. Consult a qualified technician for instruction. Avoid installing the unit where it would be subject to high temperatures, such as from direct sunlight, or where it would be subject to dust, dirt or excessive vibration.



Getting Started

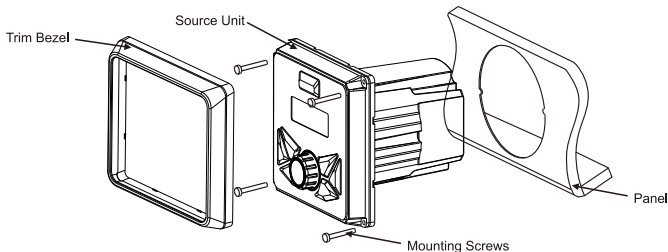
Once a suitable location has been decided, drill the hole and secure the stereo using the metal mounting bracket.

Color	Connection
Red	12V Ignition / Accessory
Yellow	Battery
Black	Ground
Grey	Right Front (+)
Grey/Black	Right Front(-)
White	Left Front (+)
White/Black	Left Front (-)
Violet	Right Rear(+)
Violet/Black	Right Rear(-)
Green	Left Rear(+)
Green/Black	Left Rear(-)

Tip: When a suitable ground wire is not present in the vehicle wiring harness. Connect the black ground wire to the vehicle chassis.

Fuse: When replacing the fuse, make sure new fuse is the correct type and amperage. Using an incorrect fuse could damage the radio.

Installation



Mounting (Using Mounting Plate)

1. Choose a mounting location on the dash board or instrument panel that will allow room behind to run radio cables to the power source. Consider how you will use the AUX IN, LINE OUT and USB connectors and route the appropriate extension cables to an accessible area.

2. Once you have determined a mounting location, you will need to cut a circular hole 3"(77mm) in diameter. At least 3.75 inch depth is needed to mount the radio.

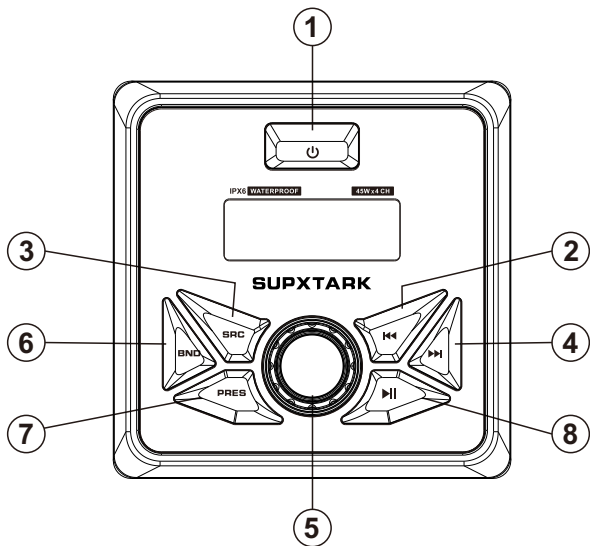
IMPORTANT! Do not mount this unit where it can be submerged in water.

3. Slide the mounting plate over the backside of the unit and secure with the supplied screws.

4. Press on the trim bezel to the front side of the unit.

5. Plug in all wiring harnesses and cables. Refer to the wiring diagram for wire harness connection types.

Control Locations - Receiver



- | | |
|--|--------------|
| ① Power | ⑥ Band |
| ② Tune Down/Previous Track | ⑦ Preset |
| ③ Source | ⑧ Play/Pause |
| ④ Tune Up/Next Track | |
| ⑤ Volume knob (Rotate) / SEL/Confirm (Press) | |

General Operation

Power on/off -- Press the ' ⏻ ' button to turn the unit on. Short press ' ⏻ ' again to turn the unit off.

Brightness -- Press ' ⏻ ' to adjust the back light brightness (High / Medium / Off).

Changing Modes -- Press SRC to select between AM/FM, USB, Auxiliary and Bluetooth Music. Modes of operation are shown in the display.

Volume -- Adjust volume by rotating the volume knob.

Mute -- Press '>||' to silence the audio. Press '>||' again to resume listening at previous selected volume.

Auxiliary Inputs Insert a 3.5mm connector in the AUX port, the other end of 3.5mm connector to the headphone output of an audio device (3.5 mm audio cable sold separately).

Audio setting



Short press 'SEL' to enter into AUDIO SETTING



Navigate between XBASS/ BASS / TREBLE / BALANCE / FADER



Rotate the volume knob to select between EQ USER/JAZZ/POP/ CLASS/ROCK

System setting



Press and hold 'SEL' to enter into SYSTEM SETTING



Navigate between BEEP / RESET / ABOUT / TIME

AM/FM Tuner Operation

1. Press the SRC button to select TUNER
2. Press >|| button to MUTE, press again to UNMUTE
3. To manual adjust frequency press >>| or |<<
4. Press the PRESET button to recall PRESETS 1-6
5. Press BAND to switch between FM1, FM2, FM3, MW1, MW2, WB;

Tuner Function Setting



Press and hold 'PRESET' to enter into Tuner function mode



Navigate between AUTO STORE / M STORE/ LOCAL / AREA / RDS / AF / TA / PTY



Press to enter setting



Rotate the volume knob to select option (A-store skip this step)



Press >|| button to confirm the selection (A-store skip this step)

A – STORE: Automatic search the strong radio stations and store them into PRESET.

M- STORE: Manual Store the Radio Station, tune to the favorite station, activate the M-STORE, the PRESET number will flashing on the LCD display, use the VOL+/VOL- button to adjust to your desired PRESET number (P1 - P18) , then press >|| button to manually save the station.

LOCAL - ON/OFF.

AREA - Select between EUROPE / AUST / USA frequency.

RDS - ON/OFF; AF / TA / PTY – ON/OFF.

USB Operation (MP3/WMA)

Playing MP3/WMA Files To play MP3/WMA files, insert a USB device (not supplied) containing MP3/WMA files.

Track Select - Press >> to skip to the beginning of the next track.
- Press << to return to the beginning of the previous track. Press and

Pause

Press >|| button to temporarily stop playback.

Press >|| button again to resume playback.

Fast forward and reverse

Press and hold >> or << to fast forward or reverse a track.

Folder Search

Short press BND button, 'ROOT' display on the screen, enable to select between folders.

Short press >> or << button (or Rotate the VOL knob) to select folders;

Short press >|| button to enter into the selected folder;

After select the folder, press >> or << button (or Rotate the VOL knob) to select the songs;

Short press >|| button to play the selected song;

Short press PRESET button to activate 'RDM ALL(Random)' - 'RPT ALL(Repeat)' - 'RPT SONG' and 'RPT FLD' function.

Bluetooth Operation

Preparation-Before using a Bluetooth device, it must be paired and connected. Ensure that Bluetooth is activated on your device before beginning the pairing process.

Pairing

To pair your smart phone to PX168, press the SRC button to select 'BT AUDIO' mode, the 'Bluetooth' icon will be flashing on the LCD screen.

Activate the Bluetooth on your smartphone to search for new devices. Connect with the device name ' PX168 ' when found. (If pin number is required by smart phone, please enter '0000'). Once pairing is successful, 'Bluetooth' icon will be displayed on the screen.

Press >> or << button to select next or previous track.

Press >|| button to pause or continue play back.

While BT mode, Long press 'Band' button to force disconnect the current Bluetooth connection.

DAB Operation (available forPX168D only)

Note: DAB+ (Digital Audio Broadcasting) is only available for some European countries and Australia where has the Digital Radio Broadcasting.

Press SRC button to switch to DAB+ mode,PX168D will automatically scan for local digital stations. This process may take a few seconds depending on the numbers of available stations. As DAB+ stations are found, they will be automatically stored into the DAB+ band memories. Once scanning is complete, PX168D will begin playing the station stored in the first memory location. And the station will be displayed on the screen.

Tuning DAB+ stations

Press |<< or >>| button to tune to previous / next DAB+ station.

A – STORE: Long press BAND button for automatically scan and save the stations.

Specifications

General

Power supply requirements: DC 12V Negative Ground

Load impedance: 4-8 Ohms/channel

Maximum output power: 40W x 4 (CH)

Operate temperature: -10-50℃

FM Tuner: Tuning range: 87.9MHz-107.9MHz (USA)

87.5MHz-108MHz (EUR)

AM Tuner: Tuning range: 530KHz-1710 KHz (USA)

522KHz-1620 KHz (EUR)

DAB+ (PX168D only) Tuning Range: BAND III 174-240 Mhz

USB playback

Signal to Noise Ratio: 55dB

Frequency Response: 50Hz- 20KHz

A/D Conversion Filter: 16BIT

USB Storage Capacity: 16GB Max

Bluetooth

Version: 5.0

*Note: Specification may change without notice.

Trouble Shooting

ISSUE	OPTIONS
Unit will not turn on (no power)	Cause: Yellow/red wire not connected or incorrect voltage Action: Check connections for proper voltage (11-16V DC)
	Cause: Black wire not connected Action: Check connection to ground
	Cause: Fuse blown Action: Replace the fuse
Unit has power (but no sound)	Cause: Speaker wire not connected Action: Check connections at speakers
	Cause: One or more speaker wires touching each other or touching chassis ground Action: Insulate all bare speaker wires from each other and chassis ground
Unit blows fuses	Cause: Yellow/red wire touching chassis ground Action: Check for pinched wire
	Cause: Speaker wires touching chassis ground Action: Check for pinched wire
	Cause: Incorrect fuse rating Action: Use fuse with correct rating

